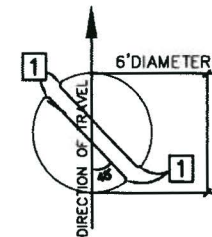
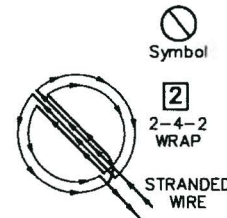
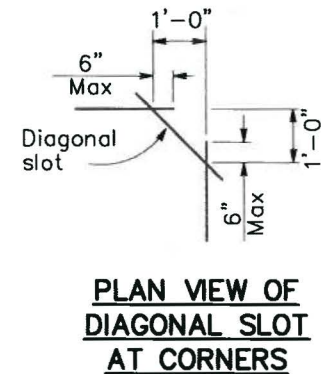
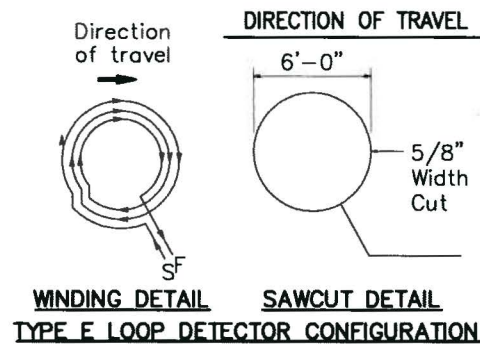
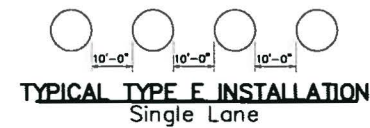


NOTES

1. THE TEMPERATURE OF THE LOOP SEALANT MATERIAL DURING INSTALLATION SHALL BE ABOVE 70° F. AIR TEMPERATURE DURING INSTALLATION SHALL BE ABOVE 50° F WITH NO FORECAST OF RAIN FOR AT LEAST 24 HOURS.
2. LOOP SEALANT SHALL BE FLUSH WITH PAVEMENT SURFACE.
3. MINIMUM CONDUCTOR COVERAGE SHALL BE 1-INCH.
4. LOOP SEALANT WILL NOT BE CUT OR DILUTED WITH WATER OR SOLVENT.
5. THE DEPTH OF THE HOME RUN CUT SHALL BE GRADUALLY INCREASED TO 3" AT LEAST 3' FROM LIP OF GUTTER.
6. 12" SPACING SHALL BE MAINTAINED BETWEEN ALL HOME RUN CUTS EXCEPT AT HAND HOLE.
7. AT NO TIME IS THE LOOP WIRE TO BE INSERTED INTO THE SAW CUT WITH A SHARP EDGE TOOL.
8. ALL SAWCUTS ARE TO BE BLOWN OUT WITH COMPRESSED AIR PRIOR TO RECEIVING WIRE.
9. USE TYPE E MODIFIED LOOPS AT THE LIMIT LINE.



TYPE E MODIFIED LOOP DETECTOR CONFIGURATION

1. ROUND CORNERS OF ACUTE ANGLES TO PREVENT DAMAGE TO CONDUCTORS.
2. INSTALL 2-4-2 TURNS WHEN ONE TYPE PHASE LOOP IS IN SERIES WITH AN ADDITIONAL CIRCULAR LOOP ON A SENSOR UNIT CHANNEL.

NOT TO SCALE



CITY OF SAN RAMON

DETAIL T-5a

DRAWN BY: ELR

CHECKED BY: MT, DF

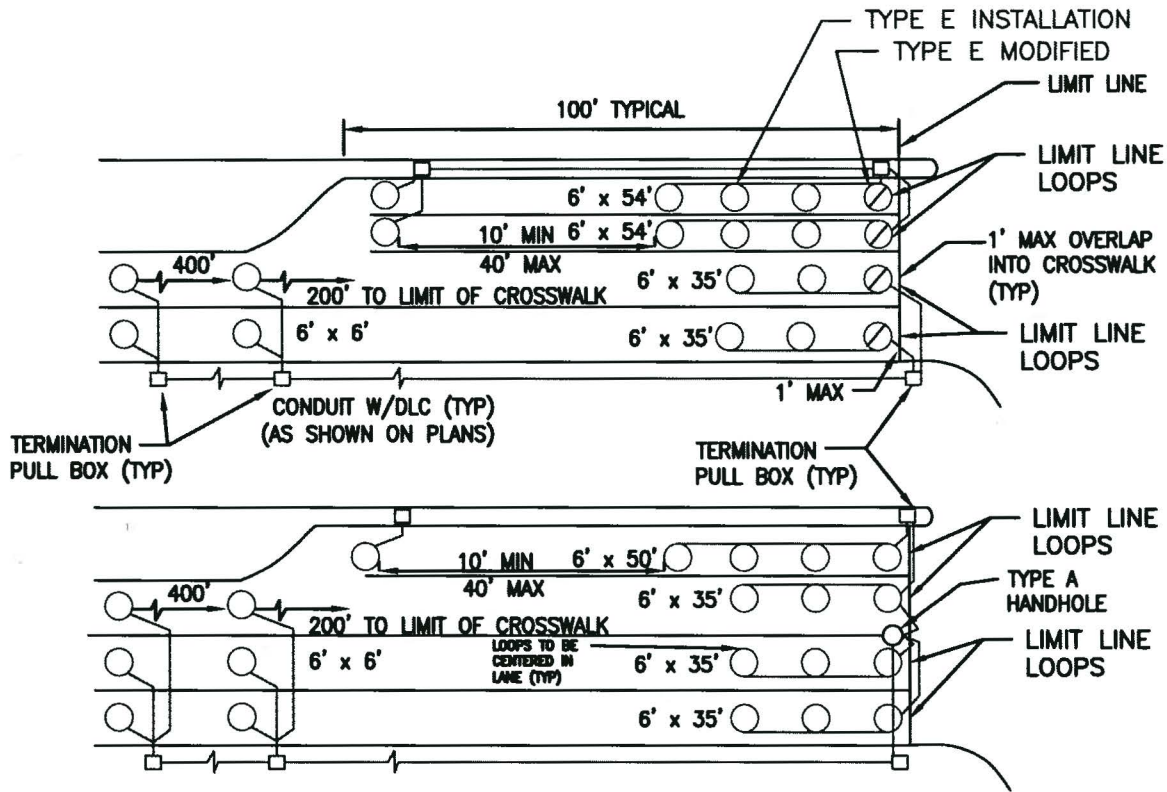
DATE: 05/20/11

STANDARD DETAIL

TRAFFIC SIGNAL DETECTOR LOOPS

APPROVED BY: DATE: 6/1/11
Brian R. Bonateri
CITY ENGINEER

SHT 1 of 2



ALL LOOP WIRES HOME RUNS TO BE TWISTED, (MIN. 2 TWIST/FT) AND INDIVIDUALLY TERMINATED IN TERMINATION PULL BOX. ALL LOOP WIRES TO BE SPLICED TO DLC CABLE IN TERMINATION PULL BOX. USE TYPE I DLC CABLE.
LIMIT LINE = STOP BAR OR CROSSWALK STRIPE

LOOP LAYOUT DETAIL
N.T.S.



CITY OF SAN RAMON

DETAIL T-5b

DRAWN BY: ELR

CHECKED BY: MT

DATE: 05/20/11

STANDARD DETAIL

TRAFFIC SIGNAL DETECTOR LOOPS

APPROVED BY:

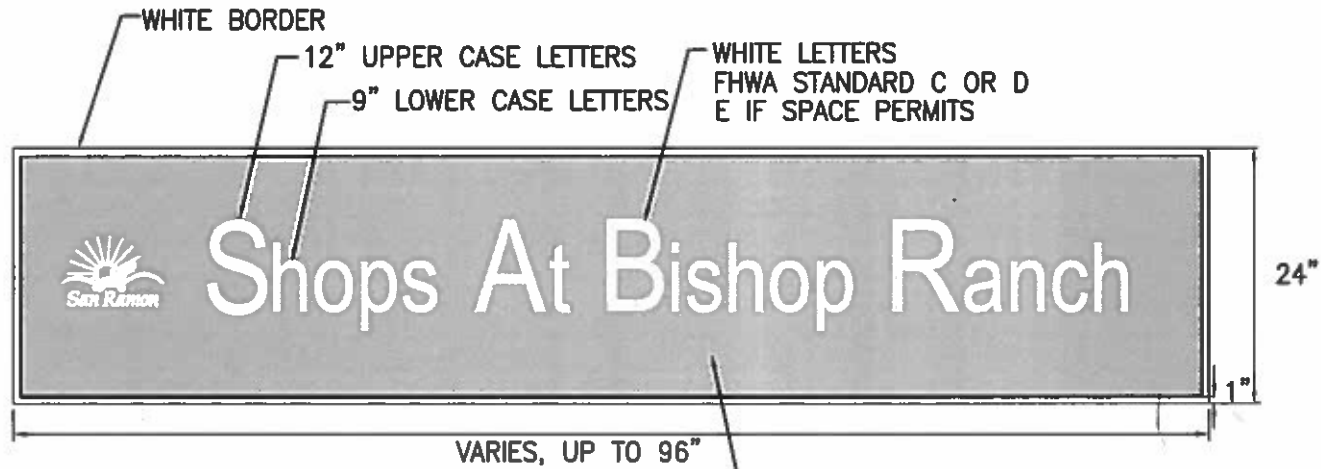
DATE: 6/1/11

Brian A. Branstetter

CITY ENGINEER

SHT 2 of 2

OVERHEAD STREET NAME SIGN STANDARD



SIGN MATERIAL:

ALUMINUM BLADE SIGN WITH AASHTO M268 TYPE D OR ASTM TYPE XI DIAMOND GRADE DG3 SHEETING.

COLOR - HOLLY GREEN
(COLOR# 14109 OR FEDERAL STANDARD 595B)


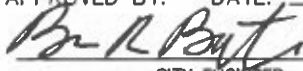
OVERHEAD MOUNTING MATERIAL:

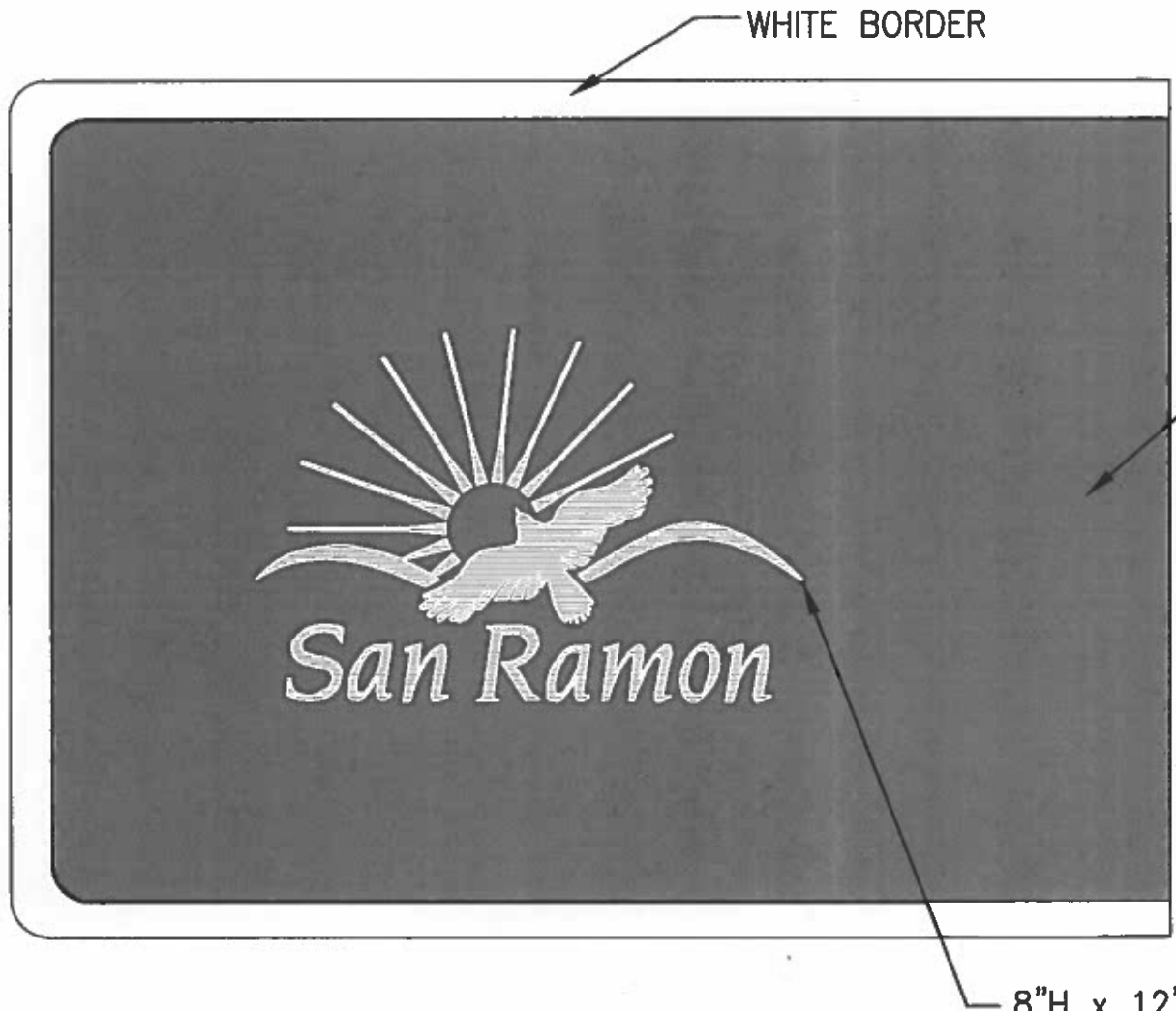
3/4" x .025" STAINLESS STEEL STRAPPING; 3/4" STAINLESS STEEL FLARED OR STRAIGHT LEG BRACKETS; 3/4" HEAVY DUTY STAINLESS STEEL BUCKLES; 3/4" U OR L CHANNEL RIVETED ALONG WITH 3M-VHB TAPE TO REAR FULL LENGTH (TOP AND BOTTOM) OF SIGN OR TAPCO BRAND - ITEM #645-05310 ALUMINUM SIGN STIFFENERS, MEDIUM EXTRUSION WITH 3M-VHB TAPE TO MOUNT CHANNEL TO SIGN.

INSTALLATION: SIGN TO BE BANDED TO MAST ARM, SIGNAL POLE OR COMBINATION OF BOTH.

SIGN SHALL BE MOUNTED A MINIMUM OF 17' TO THE BOTTOM OF THE SIGN FROM THE ROADWAY SURFACE.

NOT TO SCALE

	CITY OF SAN RAMON	DRAWN BY: ELR	STANDARD DETAIL	APPROVED BY:  DATE: 10-30-23
	DETAIL T-SIGN _a	CHECKED BY: ENG, PS		CITY ENGINEER
		DATE: 10/25/23	SAMPLE SIGN	SHT 1 of 2



WHITE BORDER

HOLLY GREEN SIGN

8"H x 12"W WHITE CITY LOGO FONT - TIMES NEW ROMAN ITALIC



CITY OF SAN RAMON

DETAIL T-SIGNb

DRAWN BY: ELR

CHECKED BY: ENG'G., PS

DATE: 10/25/23

STANDARD DETAIL

LOGO DETAIL / SIGN

APPROVED BY: DATE: 10-30-23

[Signature]

CITY ENGINEER

SHT 2 of 2